

VEB KAMERA - UND KINOWERKE DRESDEN



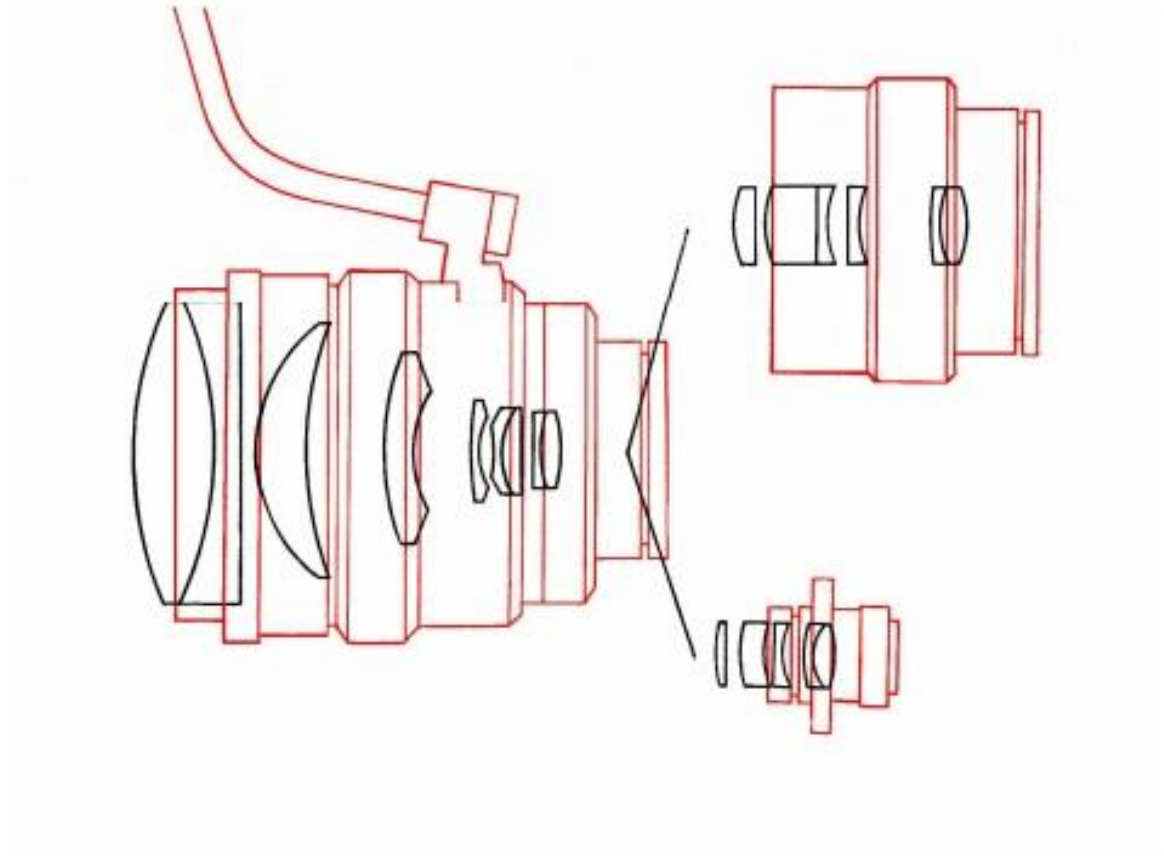
III-O-97 Ag 61/0268/80 1 P

PDF created with pdfFactory trial version www.pdffactory.com

PENTOVAR 16 - KOMBI

INSTRUKCJA OBSŁUGI



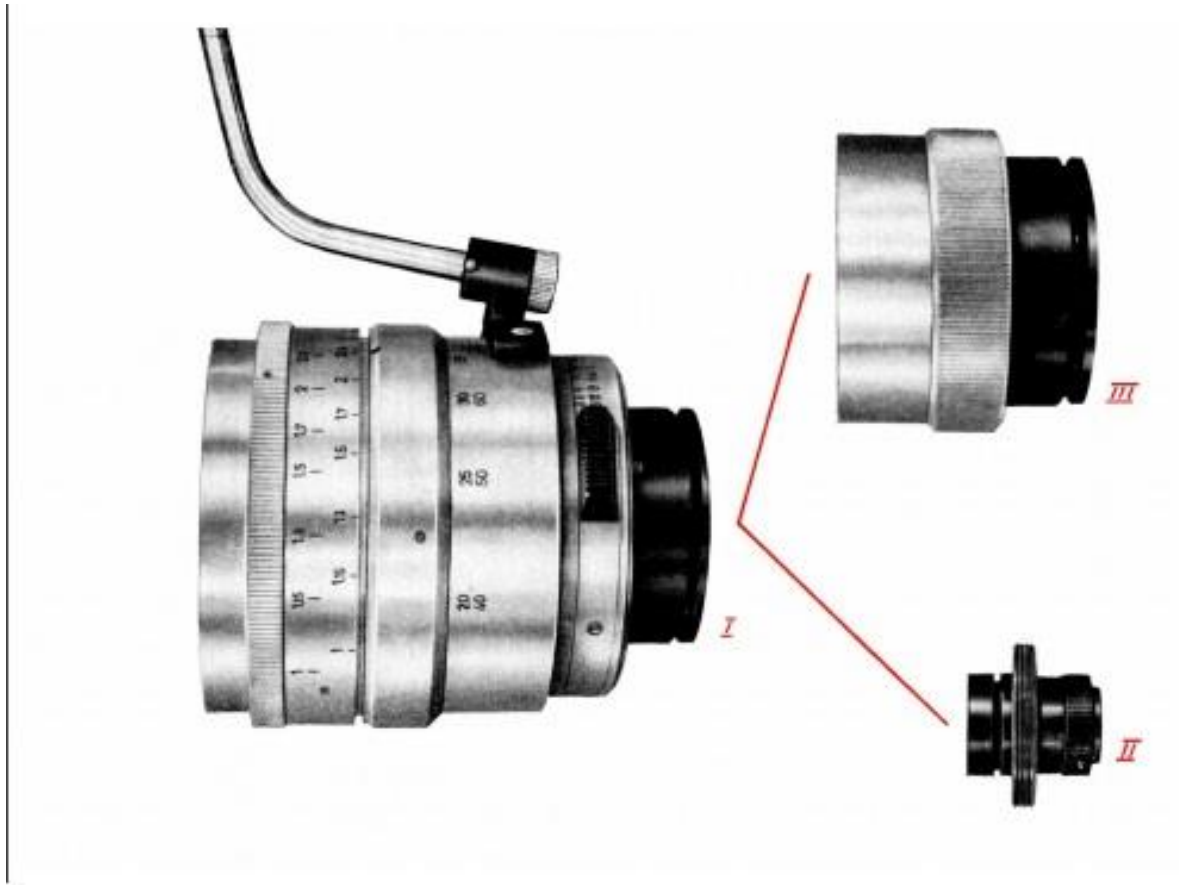


PENTOVAR 16 - KOMBI is a variable focal length lens, allowing you to set each focal length in the range from 15 to 120 mm. The lens consists of one set socket and two interchangeable lenses.

The combination of a socket set with a smaller rear section lens allows you to obtain a focal length from 15 to 60 mm, maximum relative brightness of the lens is 1: 2.8. This is indicated on the lens in **BLACK** writing.

Connection of the socket set to the larger rear section lens gives a focal length from 30 to 120 mm, maximum relative brightness of the lens is 1: 5.6. This is noted on the lens in **RED** writing.

Distances for both connections from ∞ to 1 m.



Setting the focal length. The rear lens, small or larger, is screwed clockwise into the rear of the main lens, but the contact surfaces must be absolutely free of dust.

The combination of lens elements I and II gives the lens system a focal length from 15 to 60 mm maximum relative brightness of the lens being 1: 2,8.

The combination of the elements I and III gives the lens system a focal length from 30 to 120 mm with a maximum relative brightness of the lens being 1: 5.6.

Intermediate focal lengths between $f = 15$ mm and $f = 60$ mm or between $f = 30$ mm and $f = 120$ mm is set by turning the adjusting ring 1. The RED numbers will correspond to the focal length as per adding the larger lens to the rear of the main lens. The BLACK numbers will correspond to the focal length as per using the small lens added to the rear of the main lens.

To change the focal length during shooting, use lever 2 inserted into the holder 3 and fixed with a knurled nut. With this lever you can smoothly adjust the focal length. The turning angle of the lever is proportional to the change of the focal length, in this way, the effect of shooting from the vehicle is achieved with uniform turning.

Setting the distance. Setting the distance is done by turning the distance ring 4. When assessing the focus, the longest focal length should be set as a rule, which results in greater accuracy in setting the distance.

Setting the aperture. The aperture is set by turning the aperture setting ring with the finger cap 5.



Scales of focal length, distance and apertures are marked with black and red on the appropriate setting rings. The black numbers refer to the combination **I - II / f = 15 - 60 mm**, the red numbers mean values suitable for the combination **I - III / f = 30-120 mm**. Ring 6 is provided with arrows for scale f=focal point and E distance.

The aperture indicator 7 is applied separately for each combination and coloured red or red. black, according to the right scale.

Attaching the Pentovar 16-Combi. The Pentovar 16-Combi lens is attached to the Pentaflex 16 or AK 16 like any normal interchangeable lens. The free lens sockets in the camera turret should be closed with lens covers in this case.

Pentovar support. The Pentovar 16-Combi lens has a heavier weight than normal lenses. For this reason, it is also recommended to use a bracket for relieving the turret. When using a Pentovar 16 Kombi lens for Pentaflex 16 or AK 16, a Pentovar bracket connected to a compendium is used.

Sun shutter. A special sun shade (\varnothing 70mm) can be supplied for the Pentovar 16 - Combi lens. one more tip: We advise you to use a tripod to shoot movies with Pentaflex 16 or AK 16 using a Pentovar 16-Kombi lens, especially for obtaining photo effects from the vehicle, because only in this way it is possible to obtain a smooth frame travel.